

ART. M137

HANDLE WITH LEVER ARM

MATERIAL:

Reinforced polyamide.
Oils and greases resistant.

SURFACE:

Satin.

COLOUR:

Black (RAL 9011).

LEVER ARM:

Partially threaded zinc plated steel stud.

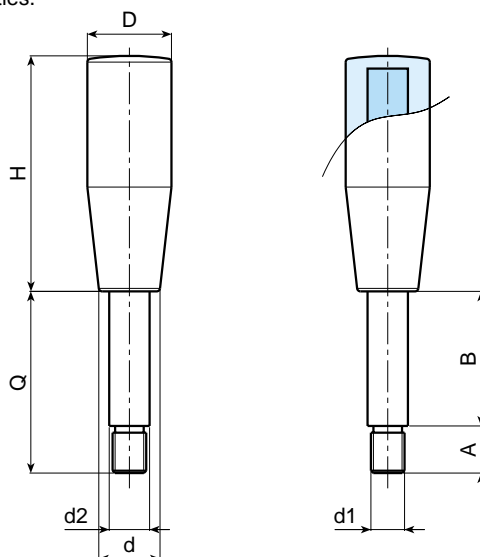
FIXING:

Push fit (cannot be dismantled).



SPECIAL REQUESTS:

- It is possible to supply the inserts with custom size , on request and for quantities.
- It is possible to supply the inserts with different treatment-finishes, on request and for quantities.
- It is possible to supply colours as shown in the table at page 22, on request and for quantities.



Art.	H	D	d	A	B	d2	d1	Q	Weight (gr)
M137-50 M08x40	50	20	15	10	30	10	M8	40	40
M137-50 M08x55	50	20	15	10	45	10	M8	55	46
M137-50 M08x80	50	20	15	10	70	10	M8	80	61
M137-60 M10x55	60	23	17	15	40	12	M10	55	68
M137-60 M10x65	60	23	17	15	50	12	M10	65	77
M137-60 M10x95	60	23	17	15	80	12	M10	95	104
M137-70 M12x65	70	25	19	15	50	14	M12	65	106
M137-70 M12x105	70	25	19	15	90	14	M12	105	154
M137-80 M12x65	80	25	20	15	50	14	M12	65	112
M137-80 M12x105	80	25	20	15	90	14	M12	105	164
M137-90 M14x67	91	27	22,5	17	50	16	M14	67	115
M137-90 M14x97	91	27	22,5	17	80	16	M14	97	193
M137-90 M14x117	91	27	22,5	17	100	16	M14	117	224