

# ART. M138

## HANDLE WITH THREADED HOLE

**MATERIAL:**

Reinforced polyamide.  
Oils and greases resistant.

**SURFACE:**

Satin.

**COLOUR:**

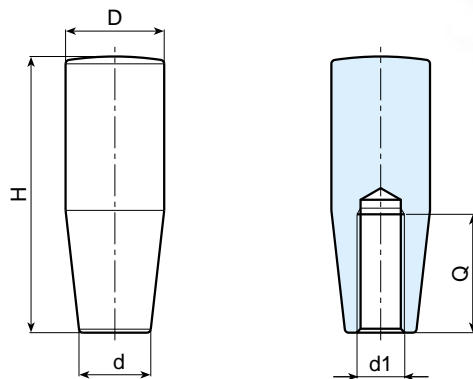
Black (RAL 9011).

**HOLE :**

Female threaded blind hole obtained by moulding the plastic.

**SPECIAL REQUESTS:**

- It is possible to supply colours as shown in the table at page 22, on request and for quantities.



Art.	H	D	d	d1	Q	Weight (gr)
M138-27 M04	27	14	10	M4	20	6
M138-27 M05	27	14	10	M5	20	5
M138-27 M06	27	14	10	M6	20	5
M138-40 M05	40	18	16	M5	20	10
M138-40 M06	40	18	16	M6	27	10
M138-40 M08	40	18	16	M8	27	10
M138-50 M06	50	20	15	M6	24	16
M138-50 M08	50	20	15	M8	23	14
M138-50 M12	50	20	16	M12	29	12
M138-60 M08	60	23	18	M8	30	24
M138-60 M10	60	23	18	M10	30	24
M138-60 M12	60	23	18	M12	29	22
M138-70 M08	69	25	19	M8	30	34
M138-70 M10	69	25	19	M10	30	32
M138-70 M12	69	25	19	M12	31	28
M138-80 M08	80	26	20	M8	31	40
M138-80 M10	80	26	20	M10	31	38
M138-80 M12	80	26	20	M12	37	36
M138-80 M14	80	26	20	M14	40	34
M138-90 M08	91	27	22	M8	30	58
M138-90 M10	91	27	22	M10	31	54
M138-90 M12	91	27	22	M12	37	50
M138-90 M14	91	27	22	M14	40	46
M138-110 M10	109	32	27	M10	31	105
M138-110 M12	109	32	27	M12	50	104
M138-110 M14	109	32	27	M14	50	100