

ART. M139

HANDLE WITH SMOOTH HOLE

MATERIAL:

Reinforced polyamide.
Oils and greases resistant.

SURFACE:

Satin.

COLOUR:

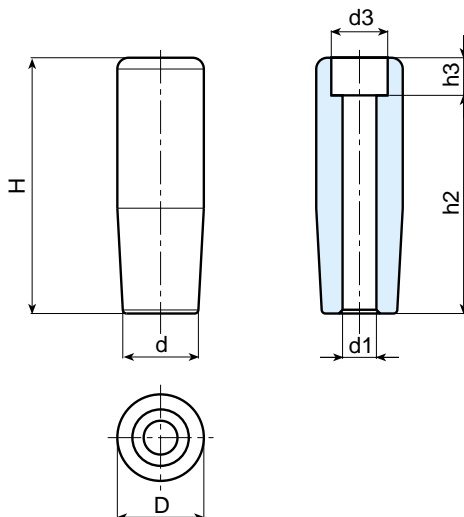
Black (RAL 9011).

HOLE :

Smooth right through hole obtained by moulding the plastic.

SPECIAL REQUESTS:

- It is possible to supply colours as shown in the table at page 22, on request and for quantities.



Art.	H	D	d	h2	h3	d1	d3	Weight (gr)
M139-50 D6,5	49	20	15	42,5	6,5	6,5	11	13
M139-50 D8,5	49	20	15	42,5	6,5	8,5	11	10
M139-60 D6,5	59	21	19	51	8	6,5	12	23
M139-60 D8,5	59	21	19	49	10	8,5	14	20
M139-70 D8,5	68	23	20	57,5	10,5	8,5	14	28
M139-70 D10,5	68	23	20	56	12	10,5	17	25
M139-80 D10,5	79	25,5	22	67	12	10,5	17	38
M139-90 D8,5	88	27,5	22,5	76	12,5	8,5	19	46
M139-90 D12,5	88	27,5	22,5	76	12,5	12,5	19	42

TAPERED AND REDUING HANDLES