

# ART. M140

## HANDLE WITH THREADED STUD

**MATERIAL:**

Reinforced polyamide.  
Oils and greases resistant.

**SURFACE:**

Satin.

**COLOUR:**

Black (RAL 9011).

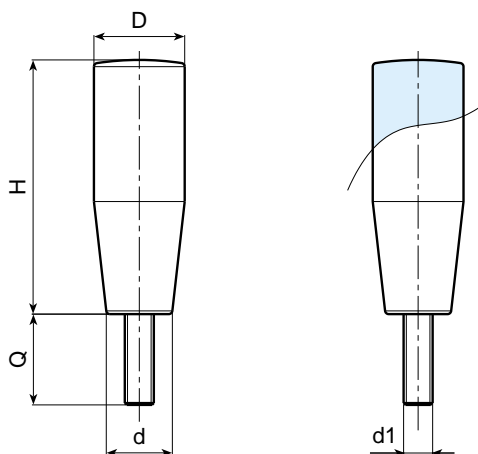
**MAIN INSERT:**

Zinc plated steel threaded stud.



**SPECIAL REQUESTS:**

- It is possible to supply the inserts with different lengths, on request and for quantities.
- It is possible to supply the inserts in different materials, on request and for quantities.
- It is possible to supply colours as shown in the table at page 22, on request and for quantities.



Art.	H	D	d	d1	Q	Weight (gr)
M140-27 M04	27	14	10	M4	20	10
M140-27 M05	27	14	10	M5	20	15
M140-27 M06	27	14	10	M6	20	20
M140-40 M05	40	18	15,5	M5	20	20
M140-40 M06	40	18	15	M6	10-20-25	18-20-21
M140-50 M06	50	20	15	M6	10-20-30	24-27-30
M140-50 M08	50	20	15	M8	10-15-20	34-32-30
M140-60 M06	60	23	17,5	M6	10-20-30	38-40-42
M140-60 M08	60	23	17,5	M8	10-20-30	34-42-50
M140-60 M10	60	23	17,5	M10	15	40
M140-70 M08	70	25	18	M8	10-20-30	51-54-57
M140-80 M06	81	26	20	M6	10	68
M140-80 M08	81	26	20	M8	10-20-30	74-77-80
M140-80 M10	81	26	20	M10	10-20-30	84-86-88
M140-90 M08	90	27	22	M8	10-20-30	74-77-80
M140-90 M10	90	27	22	M10	10-20-30	95-100-105
M140-90 M12	90	27	22	M12	20-30-40	104-112-119
M140-110 M12	111	32	27	M12	20-40	162-175
M140-110 M14	111	32	27	M14	20-40	170-190