

**ART. M141**

**CYLINDRICAL HANDLE WITH SMOOTH HOLE**

**MATERIAL:**  
Reinforced polyamide.  
Oils and greases resistant.

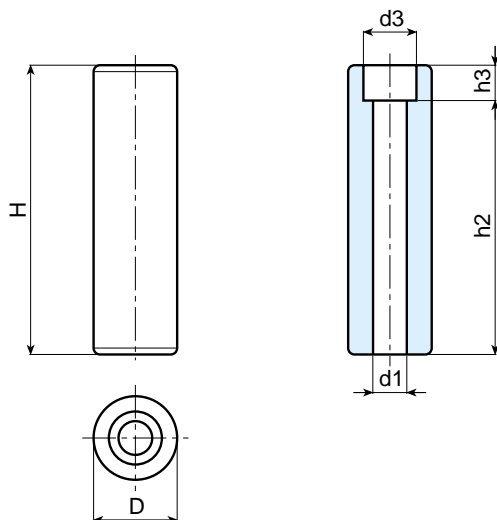
**SURFACE:**  
Satin.

**COLOUR:**  
Black (RAL 9011).

**HOLE :**  
Smooth right through hole obtained  
by moulding the plastic.

**SPECIAL REQUESTS:**

- It is possible to supply colours as shown in the table at page 22, on request and for quantities.



Art.	H	D	h2	h3	d1	d3	Weight (gr)
M141-82 D10,5	80	26	69	11	10,5	16,5	44
M141-90 D10,5	89	26	78	11	10,5	16,5	51