

ART. N240

CONTROL KNOB WITH METAL INSERT AND THROUGH HOLE

MATERIAL:

Reinforced polyamide.
Oils and greases resistant.

SURFACE:

Satin.

COLOUR:

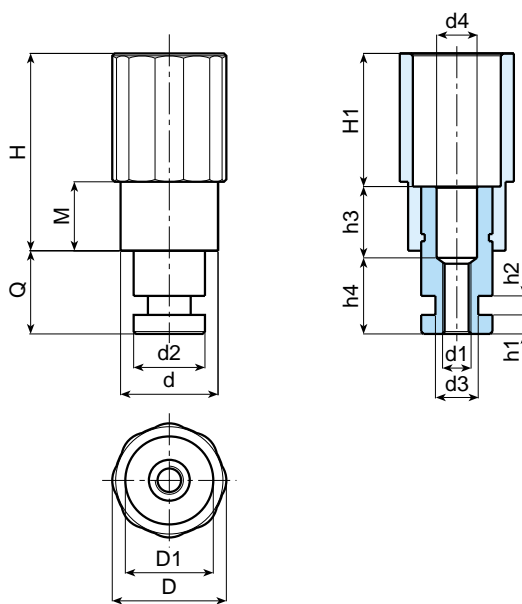
Black (RAL 9011).

MAIN INSERT:

Zinc plated steel right through hole.

SPECIAL REQUESTS:

- None.



Art.	D	D1	d	H	H1	M	Q	d2	d1	d3	d4	h1	h2	h3	h4
N240-40	39	21	32	63	33	12	25÷40	20	•	•	•	•	•	•	•
N240-50	48	36	41	83	55	29	25÷40	28÷30	•	•	•	•	•	•	•

• Sizes: to customer's specifications.