

# ART. N241

## CONTROL KNOB WITH THREADED INSERT

**MATERIAL:**

Reinforced polyamide.  
Oils and greases resistant.

**SURFACE:**

Satin.

**COLOUR:**

Black (RAL 9011).

Silver sticker.

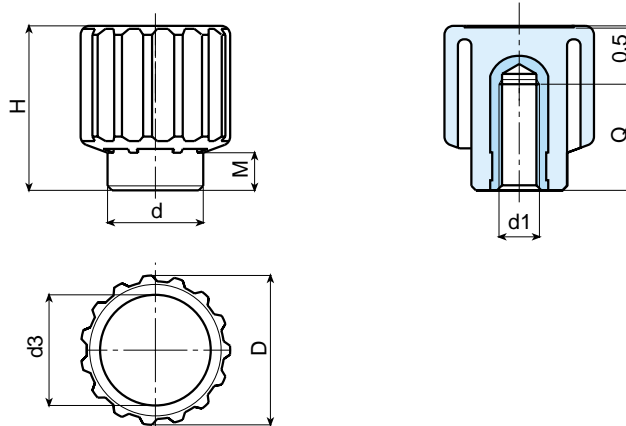
**MAIN INSERT:**

Brass blind threaded bush.  
(\* ) Zinc plated steel blind threaded bush.



**SPECIAL REQUESTS:**

- It is possible to supply the inserts in different materials, on request and for quantities.
- It is possible to supply colours as shown in the table at page 22, on request and for quantities.



Art.	D	H	M	d	d3	d1	Q	Weight (gr)
N241-50 M8	49	55	13	32	36	M8	20	92
N241-50 M10	49	55	13	32	36	M10	18	92
N241-50 M12	49	55	13	32	36	M12	18	93
N241-50 M14	49	55	13	32	36	M14	18	93
N241-50 M16	49	55	13	32	36	M16 (*)	16	96