

# ART. N244

## CONTROL KNOB WITH METAL INSERT AND THROUGH HOLE

**MATERIAL:**

Reinforced polyamide.  
Oils and greases resistant.

**SURFACE:**

Satin.

**COLOUR:**

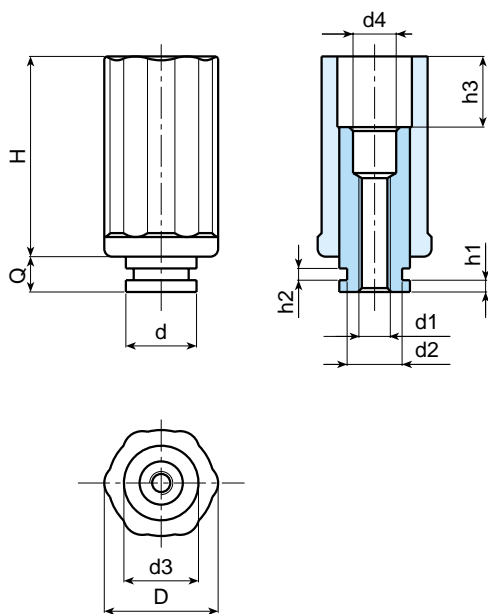
Black (RAL 9011).

**MAIN INSERT:**

Zinc plated steel right through hole.

**SPECIAL REQUESTS:**

- None.



Art.	D	H	d3	h3	Q	d	d1	d2	d4	h1	h2
N244-30	30	51	19	18	•	•	•	•	•	•	•
N244-50	50	84	28	53	•	•	•	•	•	•	•

• Sizes: to customer's specifications.

CONTROL KNOBS