

ART. N246

KNURLED CONTROL KNOB WITH SMOOTH THROUGH HOLE

MATERIAL:

Reinforced polyamide.
Oils and greases resistant.

SURFACE:

Satin.

COLOUR:

Black (RAL 9011).

PUSH FIT CENTRAL CAP:

Grey polyamide (RAL 7035 code 13).

MAIN INSERT:

Zinc plated steel right through bored bush with H7 tolerance.

SIDE HOLE (d5):

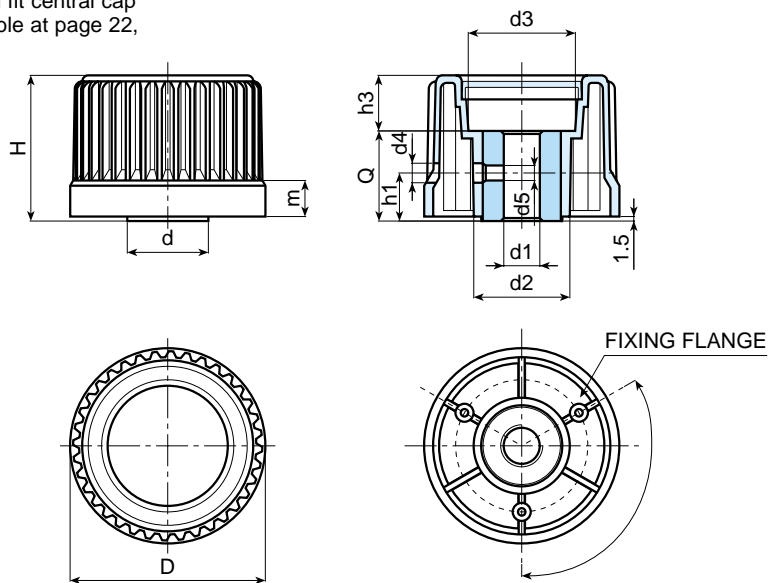
Available in smooth or threaded version.

(*) Fixing side flange.



SPECIAL REQUESTS:

- It is possible to supply the inserts with d1 diameter by customer design, on request and for quantities.
- It is possible to supply the inserts in different materials, on request and for quantities.
- It is possible to supply the inserts with different treatment-finishes, on request and for quantities.
- It is possible to supply the push fit central cap with colours as shown in the table at page 22, on request.



Art.	D	H	m	d	d2	d3	d4	d5	h1	h3	dm	d1 H7	Q	Weight (gr)
N246-30 D05 (*)	30	32	13	20	20	17	4,5	D/M	15,5	6	12	D05 H9	26	77
N246-30 D10 (*)	30	32	13	20	20	17	4,5	D/M	15,5	6	12	D10	26	73
N246-30 D12 (*)	30	32	13	20	20	17	4,5	D/M	15,5	6	12	D12	26	68
N246-65 D05	65	49	14	27	32	36	6,5	D/M	16	19	16	D05 H9	30	175
N246-65 D10	65	49	14	27	32	36	6,5	D/M	16	19	16	D10	30	170
N246-65 D12	65	49	14	27	32	36	6,5	D/M	16	19	16	D12	30	165
N246-65 D14	65	49	14	27	32	36	6,5	D/M	16	19	16	D14	30	155

It's possible to increase the hole, by boring, until dm.