

# ART. N248

## KNURLED CONTROL KNOB WITH THREADED THROUGH HOLE

**MATERIAL:**

Reinforced polyamide.  
Oils and greases resistant.

**SURFACE:**

Satin.

**COLOUR:**

Black (RAL 9011).

**PUSH FIT CENTRAL CAP:**

Grey polyamide (RAL 7035 code 13).

**MAIN INSERT:**

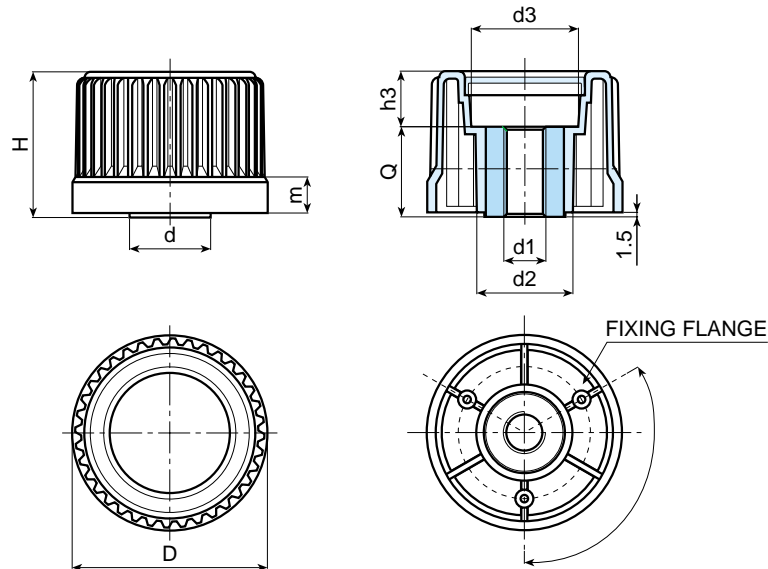
Zinc plated steel right through threaded bush.

(\*) Fixing side flange.



**SPECIAL REQUESTS:**

- It is possible to supply the inserts with d1 diameter by customer design, on request and for quantities.
- It is possible to supply the inserts in different materials, on request and for quantities.
- It is possible to supply the inserts with different treatment-finishes, on request and for quantities.
- It is possible to supply the push fit central cap with colours as shown in the table at page 22, on request.



Art.	D	H	m	d	d2	d3	h3	d1	Q	Weight (gr)
N248-30 M08 (*)	30	32	13	20	20	17	6	M08	26	79
N248-30 M10 (*)	30	32	13	20	20	17	6	M10	26	74
N248-30 M12 (*)	30	32	13	20	20	17	6	M12	26	70
N248-65 M12	65	49	14	27	32	36	19	M12	30	175
N248-65 M14	65	49	14	27	32	36	19	M14	30	170
N248-65 M16	65	49	14	27	32	36	19	M16	30	160

CONTROL KNOBS