

# ART. N740

## KNURLED CONTROL KNOB WITH THREADED INSERT

**MATERIAL:**

Reinforced polyamide.  
Oils and greases resistant.

**SURFACE:**

Satin.

**COLOUR:**

Black (RAL 9011).

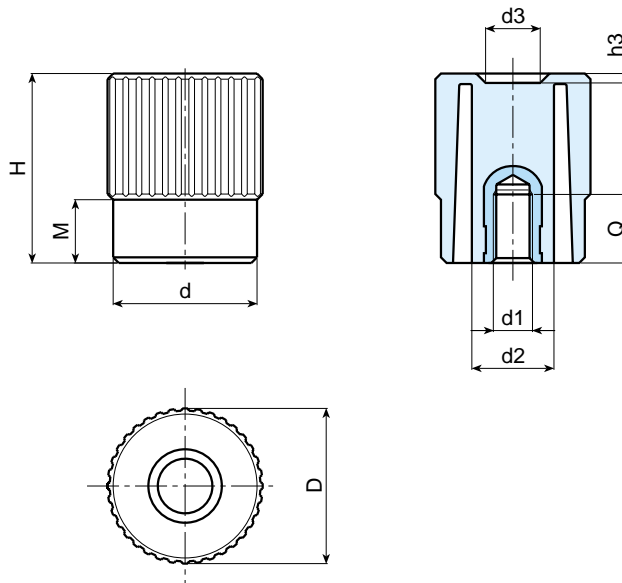
**MAIN INSERT:**

Brass blind threaded bush.



**SPECIAL REQUESTS:**

- It is possible to supply the inserts in different materials, on request and for quantities.
- It is possible to supply colours as shown in the table at page 22, on request and for quantities.



Art.	D	H	M	h3	d	d2	d3	d1	Q	Weight (gr)
N740-40 M8	41	51	16,5	2	38	22	14,5	M8	20	60
N740-40 M10	41	51	16,5	2	38	22	14,5	M10	18	61
N740-40 M12	41	51	16,5	2	38	22	14,5	M12	18	62
N740-40 M14	41	51	16,5	2	38	22	14,5	M14	18	63