

ART. N741

KNURLED CONTROL KNOB WITH THREADED STUD

MATERIAL:

Reinforced polyamide.
Oils and greases resistant.

SURFACE:

Satin.

COLOUR:

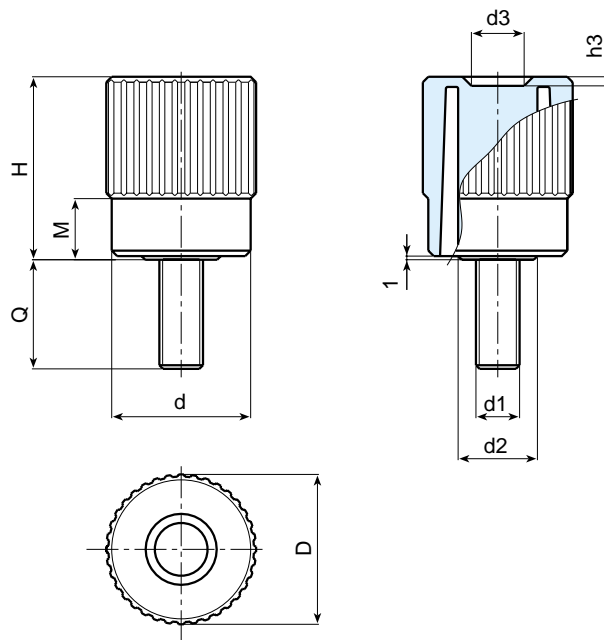
Black (RAL 9011).

MAIN INSERT:

Zinc plated steel threaded stud.

SPECIAL REQUESTS:

- It is possible to supply the inserts with different lengths, on request and for quantities.
- It is possible to supply the inserts in different materials, on request and for quantities.
- It is possible to supply colours as shown in the table at page 22, on request and for quantities.



Art.	D	H	M	h3	d	d2	d3	d1	Q	Weight (gr)
N741-40 M10	41	51	16,5	2	38	22	14,5	M10	20-25-30-35-40	86-88-91-93-95
N741-40 M12	41	51	16,5	2	38	22	14,5	M12	20-25-30-35-40	97-100-103-107-110
N741-40 M14	41	51	16,5	2	38	22	14,5	M14	20-25-30-35-40	100-105-110-115-120