

ART. N742

KNURLED CONTROL KNOB WITH SMOOTH BORED INSERT

MATERIAL:

Reinforced polyamide.
Oils and greases resistant.

SURFACE:

Satin.

COLOUR:

Black (RAL 9011).

MAIN INSERT:

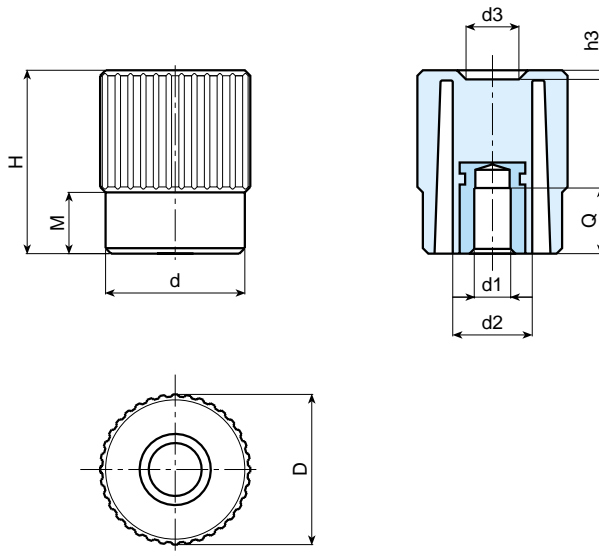
Zinc plated steel blind bored bush
with H7 tolerance.

It's possible to increase the hole,
by boring, until 14 mm.



SPECIAL REQUESTS:

- It is possible to supply the inserts with d1 diameter by customer design, on request and for quantities.
- It is possible to supply the inserts in different materials, on request and for quantities.
- It is possible to supply colours as shown in the table at page 22, on request and for quantities.



Art.	D	H	M	h3	d	d2	d3	d1 H7	Q	Weight (gr)
N742-40 D05	41	51	16,5	2	38	22	14,5	05 H9	22	90
N742-40 D10	41	51	16,5	2	38	22	14,5	10	18	80