

ART. N775

CONTROL KNOB WITH THREADED INSERT

MATERIAL:

Reinforced polyamide.
Oils and greases resistant.

SURFACE:

Satin.

COLOUR:

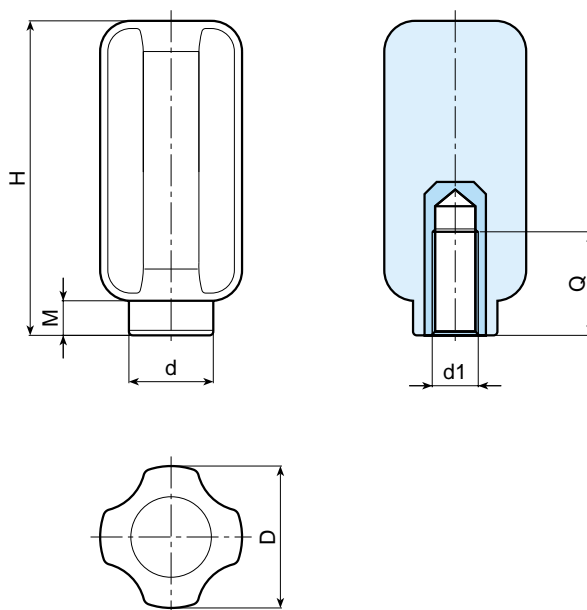
Black (RAL 9011).

MAIN INSERT:

Zinc plated steel blind threaded bush.

SPECIAL REQUESTS:

- It is possible to supply the inserts in different materials, on request and for quantities.



Art.	D	H	M	d	d1	Q	Weight (gr)
N775-38 M8	37	81	9	22	M8	20	94
N775-38 M10	37	81	9	22	M10	20	128
N775-38 M12	37	81	9	22	M12	27	116
N775-38 M14	37	81	9	22	M14	27	135
N775-38 M16	37	81	9	22	M16	16	116