

ART. N776

CONTROL KNOB WITH THREADED STUD

MATERIAL:

Reinforced polyamide.
Oils and greases resistant.

SURFACE:

Satin.

COLOUR:

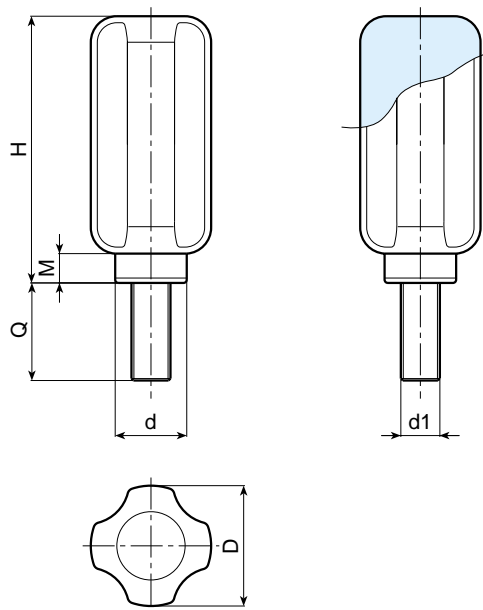
Black (RAL 9011).

MAIN INSERT:

Zinc plated steel threaded stud.

SPECIAL REQUESTS:

- It is possible to supply the inserts with different lengths, on request and for quantities.
- It is possible to supply the inserts in different materials, on request and for quantities.



| Art. | D | H | M | d | d1 | Q | Weight (gr) |
|-------------|----|----|---|----|-----|----------|-------------|
| N776-38 M10 | 37 | 81 | 9 | 22 | M10 | 20-40 | 126-137 |
| N776-38 M12 | 37 | 81 | 9 | 22 | M12 | 30-40-50 | 135-143-150 |

CONTROL KNOBS