

ART. 0410

SHIM FOR 0400-30 HINGE WITH THROUGH HOLES

MATERIAL:

Reinforced polyamide.
Oils and greases resistant.

SURFACE:

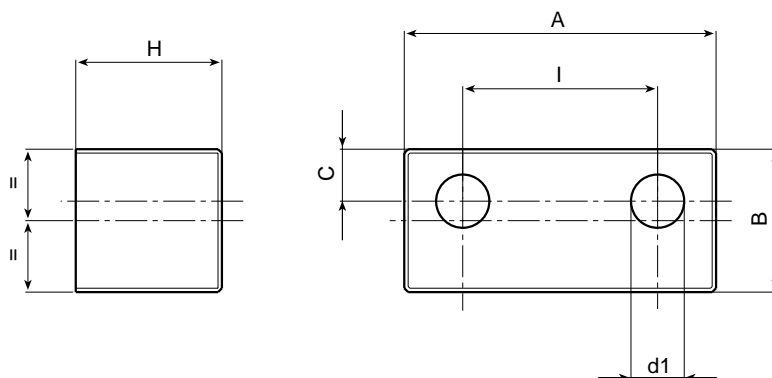
Satin.

COLOUR:

Black (RAL 9011).

SPECIAL REQUESTS:

- None.



Art.	I	C	A	B	H	d1	Weight (gr)
0410-30	30	8	48	22	22,5	8,5	19