

ART. 0411

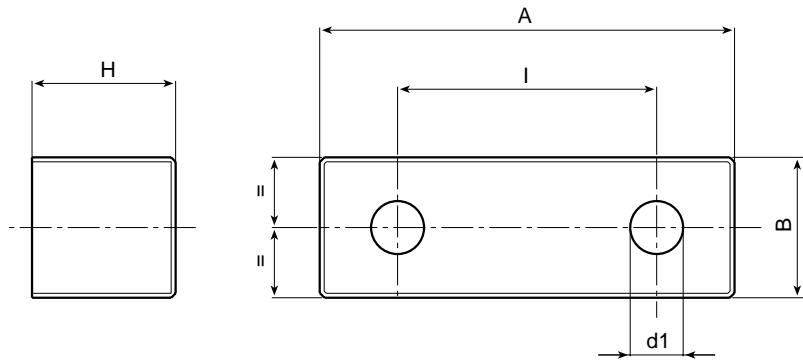
SHIM FOR 0400-40 HINGE WITH THROUGH HOLES

MATERIAL:
Reinforced polyamide.
Oils and greases resistant.

SURFACE:
Satin.

COLOUR:
Black (RAL 9011).

SPECIAL REQUESTS:
• None.



Art.	I	A	B	H	d1	Weight (gr)
O411-40	40	65	22	22,5	8,5	24

HINGES