

ART. P814

SOLID MOUNTING FOOT

MATERIAL:

Reinforced polyamide.
Oils and greases resistant.

SURFACE:

Satin.

COLOUR:

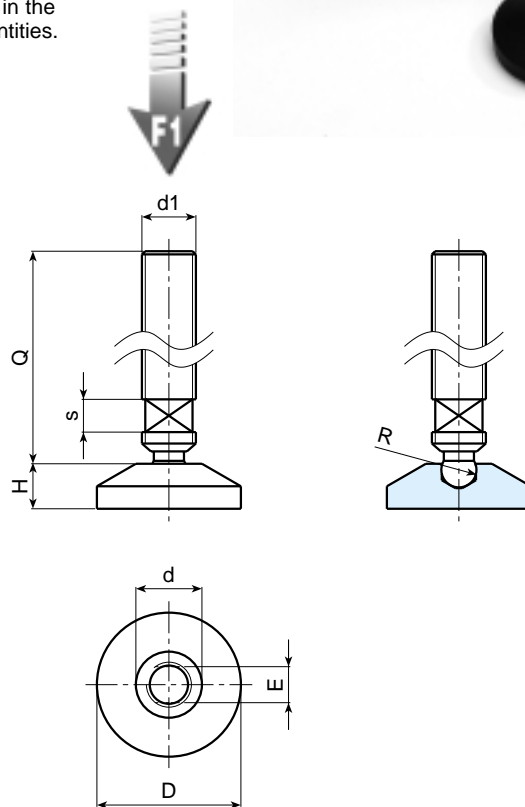
Black (RAL 9011).

INSERT:

Zinc plated steel articulated, threaded stem.

SPECIAL REQUESTS:

- It is possible to supply the inserts with different lengths, on request and for quantities.
- It is possible to supply colours as shown in the table at page 22, on request and for quantities.



Art.	D	H	d	E	s	R	d1	Q	Weight (gr)	F1 (N)
P814-32 M10	32	10	15,5	6	6	8	M10	50-90	32-53	4000
P814-32 M12	32	10	15,5	6	6	8	M12	50-90	42-71	4000