

ART. P900

MOUNTING FOOT

MATERIAL:

Reinforced polyamide.
Oils and greases resistant.

SURFACE:

Satin.

COLOUR:

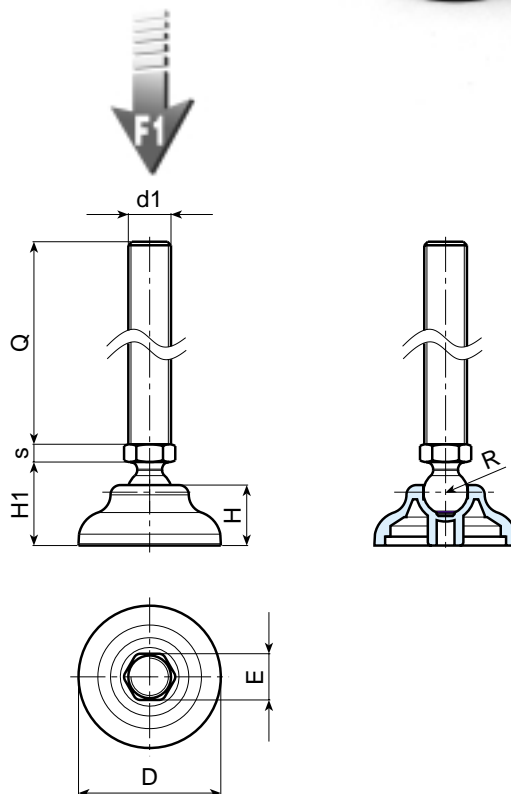
Black (RAL 9011).

INSERT:

Zinc plated steel articulated, threaded stem.

SPECIAL REQUESTS:

- It is possible to supply the inserts with different lengths, on request and for quantities.
- It is possible to supply colours as shown in the table at page 22, on request and for quantities.



Art.	D	H	H1	E	s	R	d1	Q	Weight (gr)	F1 (N)
P900-40 M08	40	17	23	13	5	12,5	M8	45-70	40-47	10.000
P900-40 M10	40	17	23	13	5	12,5	M10	45-70-95	48-60-75	10.000
P900-40 M12	40	17	23	13	5	12,5	M12	45-70-100	58-75-97	10.000
P900-50 M08	50	18	24	13	5	12,5	M8	45-70	46-53	10.000
P900-50 M10	50	18	24	13	5	12,5	M10	45-70-95	54-63-77	10.000
P900-50 M12	50	18	24	13	5	12,5	M12	45-70-100	64-78-99	10.000
P900-60 M08	60	20	26	13	5	12,5	M8	45-70	58-66	10.000
P900-60 M10	60	20	26	13	5	12,5	M10	45-70-95	68-80-95	10.000
P900-60 M12	60	20	26	13	5	12,5	M12	45-70-100	78-96-117	10.000
P900-60 M14	60	20	26	17	6,5	15	M14	50-70-110	111-135-171	12.000
P900-60 M16	60	20	26	17	6,5	15	M16	50-70-110	130-162-209	12.000