

ART. P901

MOUNTING FOOT WITH NON-SLIP BASE

MATERIAL:

Reinforced polyamide.
Oils and greases resistant.

SURFACE:

Satin.

COLOUR:

Black (RAL 9011).

INSERT:

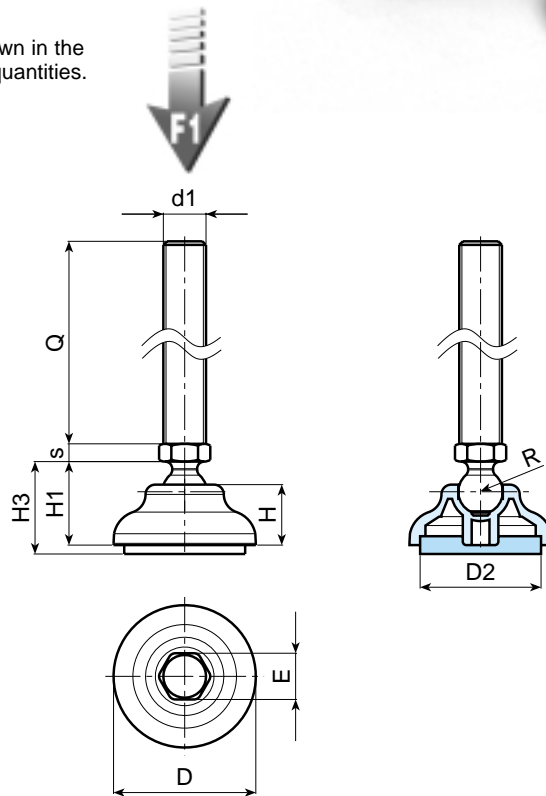
Zinc plated steel articulated, threaded stem.

NON-SLIP BASE:

Nitrile rubber NBR 70 Shore
(only black RAL 9011).

SPECIAL REQUESTS:

- It is possible to supply the inserts with different lengths, on request and for quantities.
- It is possible to supply colours as shown in the table at page 22, on request and for quantities.



Art.	D	D2	H	H1	H3	E	s	R	d1	Q	Weight (gr)	F1 (N)
P901-40 M08	40	34	17	23	26	13	5	12,5	M8	45-70	44-51	10.000
P901-40 M10	40	34	17	23	26	13	5	12,5	M10	45-70-95	52-64-79	10.000
P901-40 M12	40	34	17	23	26	13	5	12,5	M12	45-70-100	62-79-101	10.000
P901-50 M08	50	43	18	24	27	13	5	12,5	M8	45-70	66-74	10.000
P901-50 M10	50	43	18	24	27	13	5	12,5	M10	45-70-95	76-88-103	10.000
P901-50 M12	50	43	18	24	27	13	5	12,5	M12	45-70-100	86-104-125	10.000
P901-60 M08	60	53	20	26	29	13	5	12,5	M8	45-70	52-59	10.000
P901-60 M10	60	53	20	26	29	13	5	12,5	M10	45-70-95	60-69-83	10.000
P901-60 M12	60	53	20	26	29	13	5	12,5	M12	45-70-100	70-84-105	10.000
P901-60 M14	60	53	20	26	29	17	6,5	15	M14	50-70-110	111-135-171	12.000
P901-60 M16	60	53	20	26	29	17	6,5	15	M16	50-70-110	130-162-209	12.000

MOUNTING FEET