

ART. P903

FLOOR-ANCHOR MOUNTING FOOT WITH NON-SLIP BASE

MATERIAL:

Reinforced polyamide.
Oils and greases resistant.

SURFACE:

Satin.

COLOUR:

Black (RAL 9011).

INSERT:

Zinc plated steel articulated, threaded stem.
For stem lengths longer than the standard the insert does not have a hexagonal seat; in this case, a seat is milled into the threading (see fig. 2).

ANCHORING TO THE FLOOR:

The holes in the foot used for anchoring the mount to the floor, are supplied closed. To open them simply break the plastic membrane (see drawing).

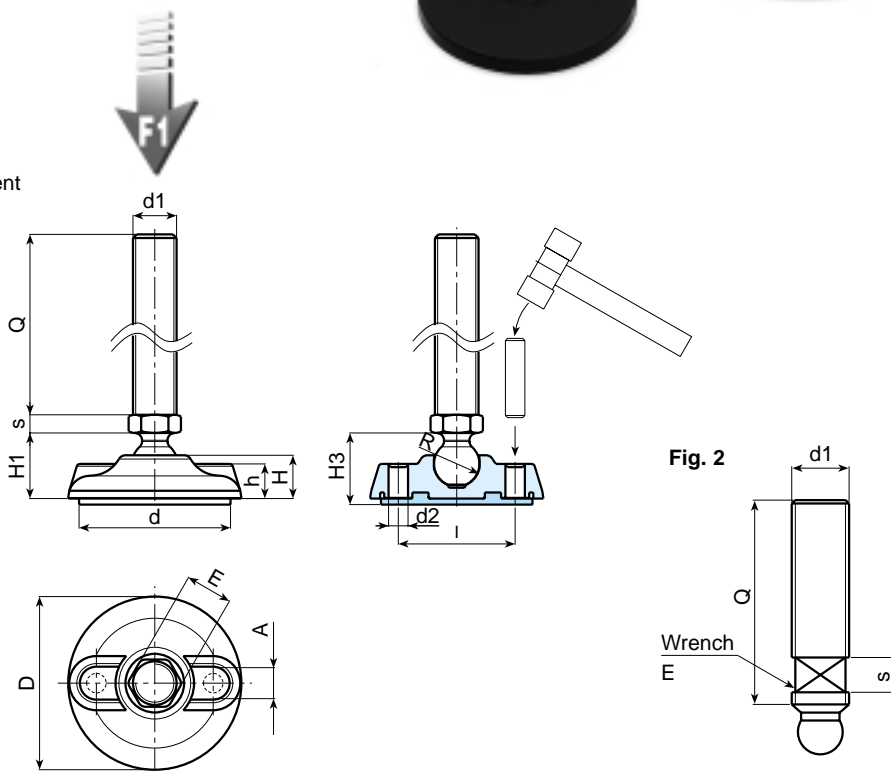
NON-SLIP BASE:

Nitrile rubber NBR 70 Shore
(only black RAL 9011).



SPECIAL REQUESTS:

- It is possible to supply the inserts with different lengths, on request and for quantities.
- It is possible to supply colours as shown in the table at page 22, on request and for quantities.



Art.	D	H	I	H1	H3	h	A	E	s	R	d	d2	d1	Q	Weight (gr)	F1 (N)
P903-80 M10	80	20	54	25,5	28,5	16	20	13	5	12,5	70	9	M10	45-70-100	97-109-146	10000
P903-80 M12	80	20	54	25,5	28,5	16	20	13	5	12,5	70	9	M12	45-70-100	107-124-168	10000
P903-80 M14	80	20	54	26	28,5	16	20	17	6,5	15	70	9	M14	50-70-90-100	165-189-213-228	13000
P903-80 M16	80	20	54	26	28,5	16	20	17	6,5	15	70	9	M16	50-70-90-110-130	183-216-248-279-311	13000
P903-105 M12	105	22	74	28	32	18	21	17	6,5	15	94	11	M12	50-90-130	255-290-309	15000
P903-105 M14	105	22	74	28	32	18	21	17	6,5	15	94	11	M14	50-70-90-100	271-295-319-331	15000
P903-105 M16	105	22	74	28	32	18	21	17	6,5	15	94	11	M16	50-70-90-110-130	290-322-354-385-417	15000
P903-105 M20	105	22	74	28	32	18	21	16 (*)	7	15	94	11	M20 (*)	70-110	374-454	15000
P903-130 M12	130	24	99	30	35	20	21	17	6,5	15	118	13	M12	50-90-130	372-408-444	17000
P903-130 M14	130	24	99	30	35	20	21	17	6,5	15	118	13	M14	50-70-90-100	389-413-437-449	17000
P903-130 M16	130	24	99	30	35	20	21	17	6,5	15	118	13	M16	50-70-90-110-130	408-440-472-503-535	17000
P903-130 M20	130	24	99	30	35	20	21	16 (*)	7	15	118	13	M20 (*)	70-110	487-567	17000

(*) Seat for the wrench obtained by milling (fig. 2)