

ART. Q261

LOBED WASHER

MATERIAL:

Reinforced polyamide.
Oils and greases resistant.

SURFACE:

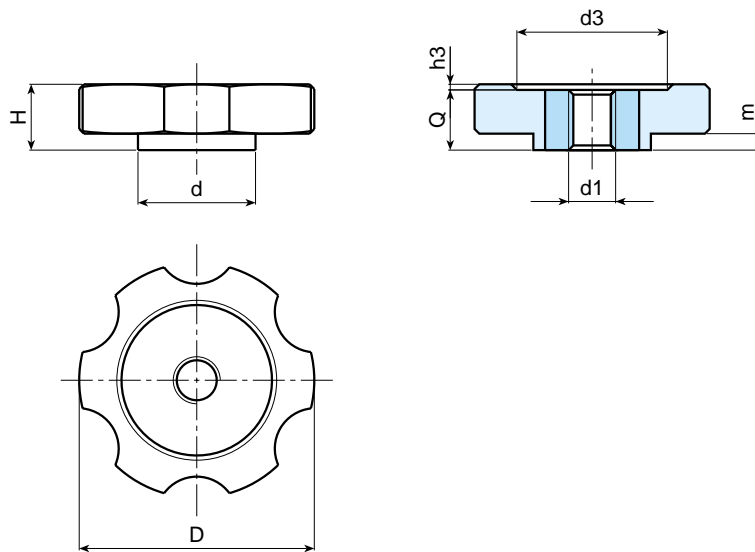
Satin.

COLOUR:

Black (RAL 9011).

MAIN INSERT:

Zinc plated right through threaded bush.



Art.	D	H	d	m	h3	d3	d1	Q	Weight (gr)
Q261-40 M08	40	12	25	2	1,5	22	M8	11	21
Q261-40 M10	40	12	25	2	1,5	22	M10	11	22
Q261-40 M12	40	12	25	2	1,5	22	M12	11	24
Q261-50 M08	50	14	25	3,5	1,5	32	M8	13	31
Q261-50 M10	50	14	25	3,5	1,5	32	M10	13	32
Q261-50 M12	50	14	25	3,5	1,5	32	M12	13	35

WASHERS