

ART. Q262

KNURLED WASHER

MATERIAL:

Reinforced polyamide.
Oils and greases resistant.

SURFACE:

Satin.

COLOUR:

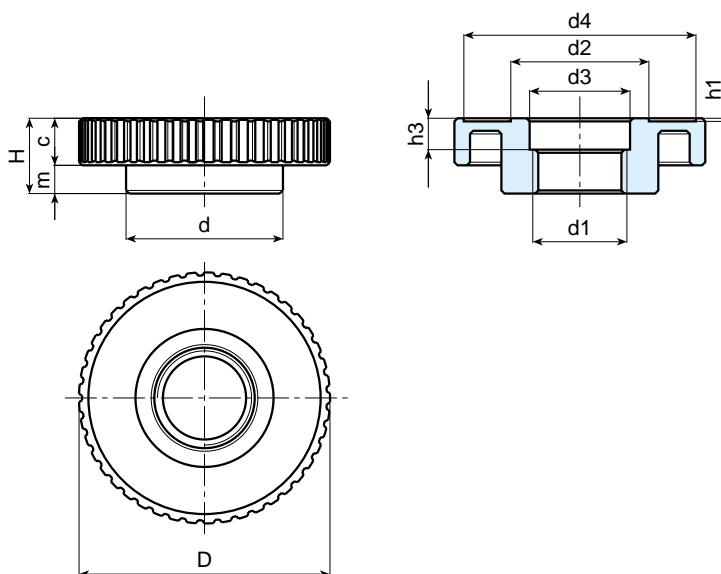
Black (RAL 9011).

HOLE:

Molded right through threaded hole.

SPECIAL REQUESTS:

- It is possible to supply the inserts with d1 diameter by customer design, on request and for quantities.



Art.	D	H	d	c	m	h1	h3	d2	d3	d4	d1	Weight (gr)
Q262-80 M30x1,5	81	24	50	14,5	9,5	1	10	43,5	32	74	M30x1,5	65
