

# ART. Q263

## KNURLED WASHER

**MATERIAL:**  
Reinforced polyamide.  
Oils and greases resistant.

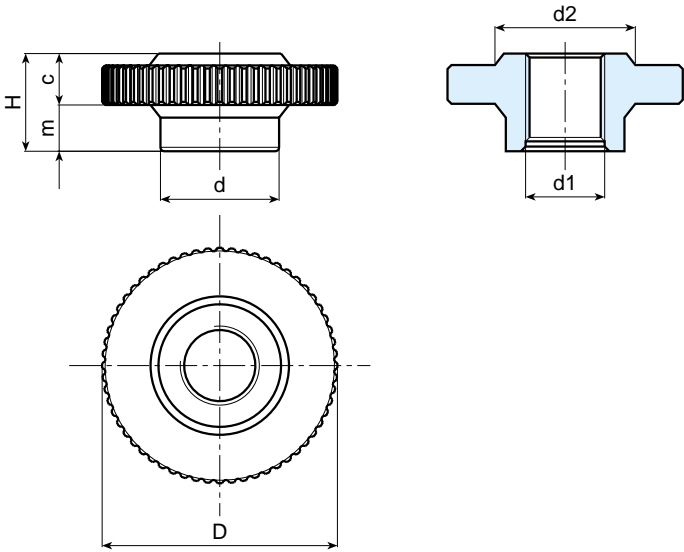
**SURFACE:**  
Satin.

**COLOUR:**  
Black (RAL 9011).

**HOLE :**  
Molded right through threaded hole.

**SPECIAL REQUESTS:**

- It is possible to supply the inserts with d1 diameter by customer design, on request and for quantities.



Art.	D	H	d	c	m	d2	d1	Weight (gr)
Q263-60 M20	60	25	30	12	13	35	M20	38
Q263-60 M24	60	25	30	12	13	35	M24	35

W A S H E R S