

ART. R537

COMPLETE "SEALED" 5 WAY TERMINAL BLOCK

MATERIAL:

(1-3) Impact resistant and self-extinguishing Polystyrene.

SURFACE:

Glossy.

COLOUR:

Black (RAL 9011).

MAIN INSERTS:

Brass threaded through hole insert.

(4) Self-tapping galvanised screw 4.2x22
DIN 7981/UNI 6954.

(2) Thermoplastic rubber 75 Shore.

(5) Yellow passivated steel screw M4x10 DIN 84.

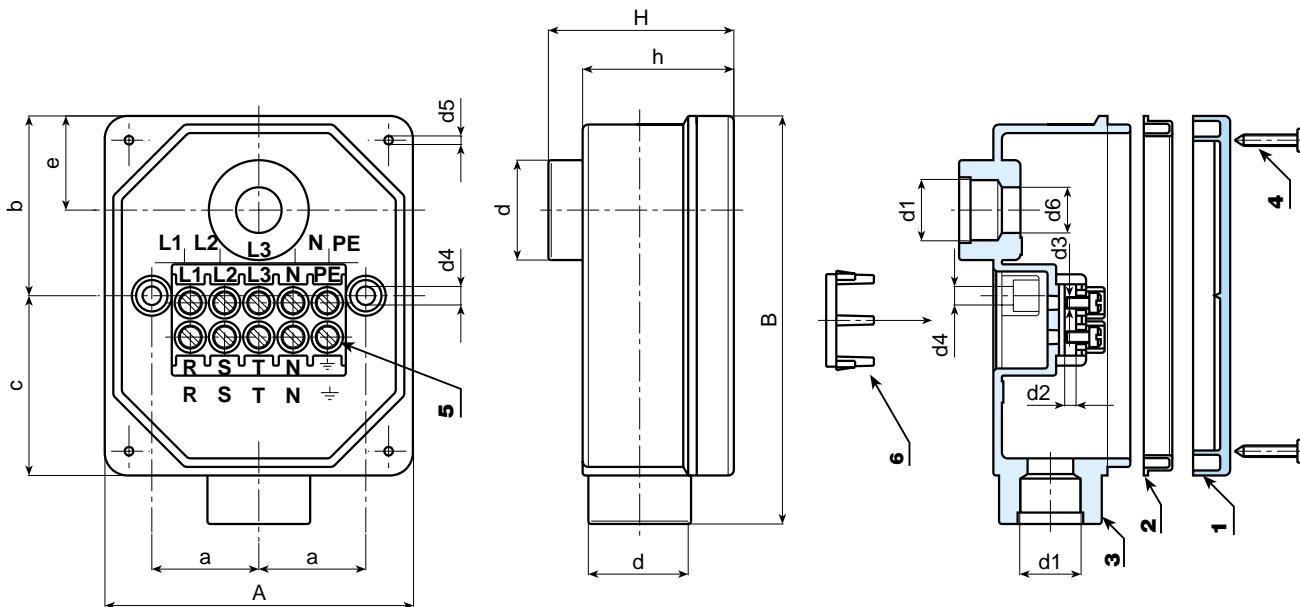
(6) Rear terminal block cover.

DEGREE OF PROTECTION:

IP54.

SPECIAL REQUESTS:

• None.



Art.	A	B	H	h	d	a	b	c	d1	d2	d3	d4	d5	d6	Weight (gr)
R537-126 PG16	108	144	67	53	35,5	38	63	29,5	PG16	5	M4	6,5	3,5	17,5	312
R537-126 PG21	108	144	67	53	35,5	38	63	29,5	PG21	5	M4	6,5	3,5	17,5	308