

ART. R552

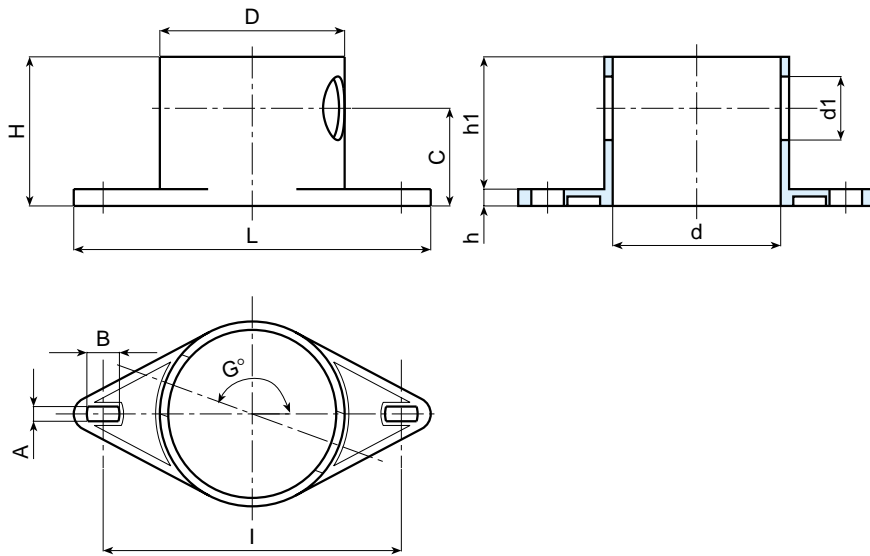
SPINDLE GUARD

MATERIAL:
Reinforced polyamide.
Oils and greases resistant.

SURFACE:
Glossy.

COLOUR:
Black (RAL 9011).

SPECIAL REQUESTS:
• None.



Art.	H	D	d	L	l	A	B	G	c	h	h1	d1	Weight (gr)
R552-170	71	88	80	170	142	7	15	20	46,5	8	63	30	104