

ART. R554

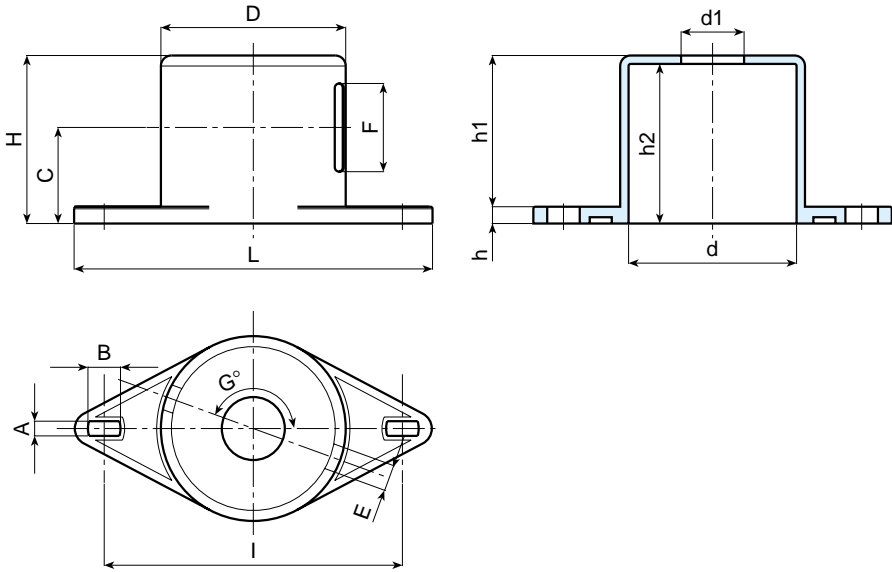
WESCOT SPINDLE GUARD

MATERIAL:
Impact resistant Polystyrene.

SURFACE:
Glossy.

COLOUR:
Black (RAL 9011).

SPECIAL REQUESTS:
• None.



Art.	H	D	d	L	I	A	B	E	F	G	c	h	h1	h2	d1	Weight (gr)
R554-170	80	88	80	170	142	7	15	12,5	42	20	46	8	72	76	30	125

ACCESSORIES FOR MACHINE TOOLS