

ART. R555

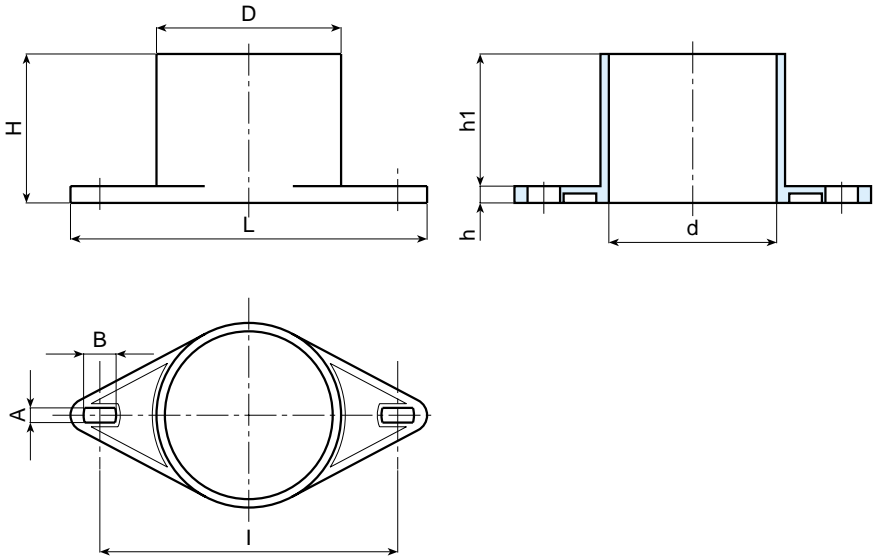
SPINDLE GUARD WITHOUT SIDE HOLES

MATERIAL:
Impact resistant Polystyrene.

SURFACE:
Glossy.

COLOUR:
Black (RAL 9011).

SPECIAL REQUESTS:
• None.



Art.	H	D	d	L	l	A	B	h	h1	Weight (gr)
R555-170	71	88	80	170	142	7	15	8	63	100