

ART. S113

FEMALE TRAILING CORD CONNECTOR

MATERIAL:

(4) Thermoplastic rubber 75-80 Shore.

SURFACE:

Satin.

COLOUR:

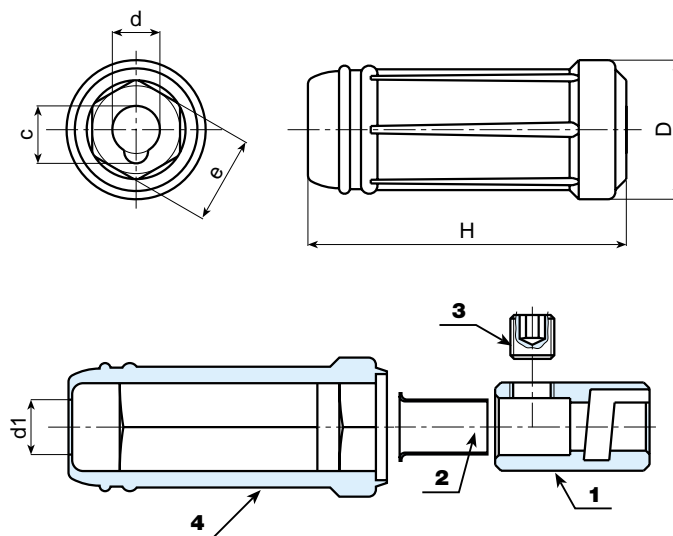
Black (RAL 9011).

MAIN INSERTS:

- (1) Insert with a female slot in brass.
- (2) Tube in soft copper.
- (3) Dowel with countersunk hexagon DIN 913-45H (n°2 dowels for the F95-00version).

SPECIAL REQUESTS:

- None.



Art.	D	H	d	c	e	d1	Weight (gr)
S113-F25-00	24,5	59	9	10,5	14	8,5	38
S113-F35-50	35	87	13	16	21	11	104
S113-F70-00	38	87	13	16,5	24	15,5	151
S113-F95-00	38	87	13	16	24	15,5	188