

ART. S114

FIXED MALE CONNECTOR

MATERIAL:

- (2-3) Duroplast.
Oils and greases resistant.
High temperatures resistant.

SURFACE:

Glossy.

COLOUR:

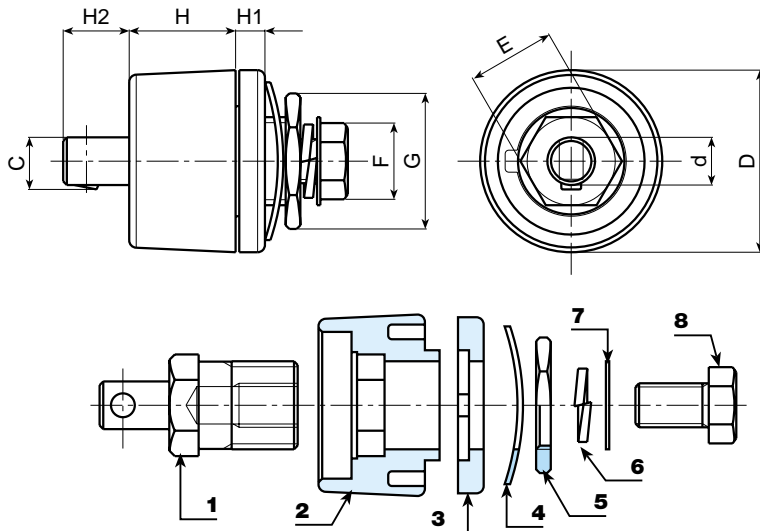
Black (RAL 9011).

MAIN INSERTS:

- (1) Threaded Insert with male element in brass.
- (4) M25-00 Toothed washer in black-oxide treated steel DIN 6798.
- M35-50 Corrugated washer in black-oxide treated steel DIN 137.
- M70-00 Corrugated washer in black-oxide treated steel DIN 137.
- (5) Threaded hexagonal ring in yellow passivated steel.
- (6) Split washer in black-oxide treated steel UNI 1751.
- (7) Yellow passivated steel washer.
- (8) Hexagonal head screw in yellow passivated steel DIN 933/UNI 5739.

SPECIAL REQUESTS:

- None.



Art.	D	H	H1	H2	d	c	E	F	G	Weight (gr)
S114-M25-00	33	14	4	7	9	9,5	14	13	22	60
S114-M35-50	50,5	29	7	9	13	14	21	17	27	194
S114-M70-00	50,5	29	7	9	13	14	24	19	32	242