

ART. S600

CABLE CLAMP WITH HEXAGONAL RING

MATERIAL:

Reinforced polyamide.
Oils and greases resistant.

SURFACE:

Satin.

COLOUR:

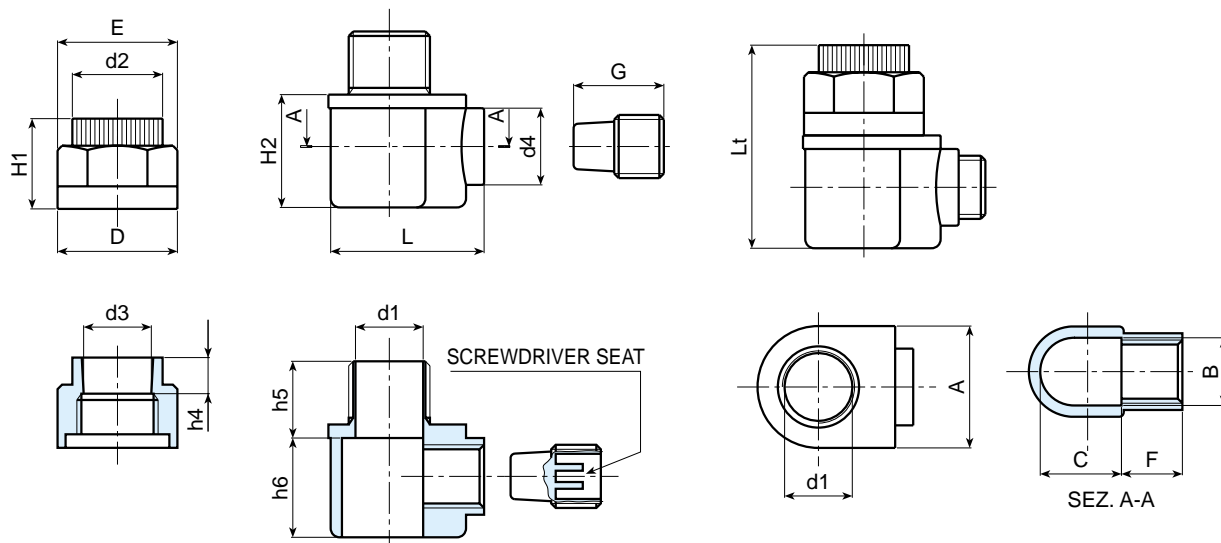
Black (RAL 9011).

HOLE :

Smooth right through hole obtained by moulding the plastic.

SPECIAL REQUESTS:

- None.



Art.	A	B	C	D	E	F	G	L	H1	H2	h4	h5	h6	d1	d2	d3	d4	Lt	Weight (gr)
S600-38	27	M14	17,5	26	23	14,5	19	34,5	20	22	7	16,5	19	14,5	19	14	17	43	13