

ART. T251

PANEL PRESSER

MATERIAL:

Reinforced polyamide.
Oils and greases resistant.

SURFACE:

Satin.

COLOUR:

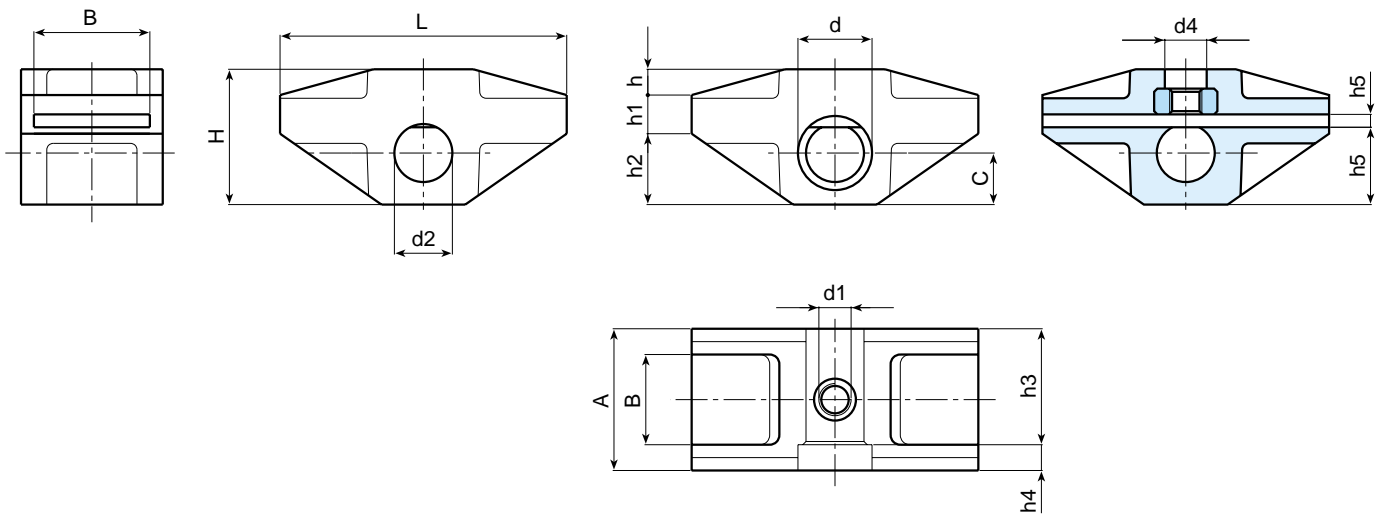
Black (RAL 9011).

MAIN INSERT:

Zinc plated steel nut DIN 934/UNI 5588.

SPECIAL REQUESTS:

- None.



Art.	L	H	A	B	c	E	d	d2	d3	h	h1	h2	h3	h4	h5	h6	d1	Weight (gr)
T251-90	89	42	44	29	16	36	23	18	13,5	10	12	20	35	9	24,5	3	M10	100