

# ART. W467

## KNURLED METAL HANDWHEEL WITH SHORT HUB AND THREADED HOLE

**MATERIAL:**

Steel with property class 5.8.

**SURFACE:**

Low roughness turned surface.

**STANDARD COLOUR:**

H - Nickel-plated (surface treatment).

**ALTERNATIVO COLOUR ON REQUEST:**

B - Black -oxide (surface treatment).

Z - Galvanised (surface treatment).

D - Dacromet® (surface treatment).

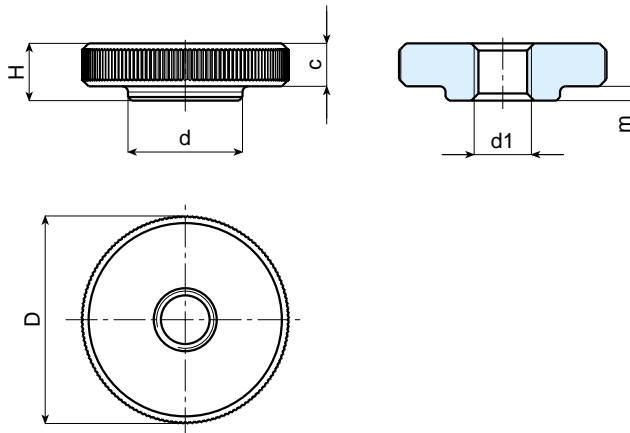
To be specified with the order.

**HOLE:**

Threaded through hole in the steel with tolerance class of 6H.

**SPECIAL REQUESTS:**

- It is possible to supply the handwheels with customised hole d1, on request and for quantities.



Art.	d	D	H	m	c	d1	Weight (g)
W467-11 M3 "HBZD"	6	11	3	-	3	M3	
W467-15 M4 "HBZD"	8	15	4	-	4	M4	
W467-19 M5 "HBZD"	10	19	5	1	4	M5	
W467-23 M6 "HBZD"	12	23	6	1	5	M6	
W467-29 M8 "HBZD"	16	29	8	2	6	M8	
W467-35 M10 "HBZD"	20	35	10	2	8	M10	
W467-39 M12 "HBZD"	22	39	12	2	10	M12	