

ART. W500 - W502

FIXED METAL LEVER WITH INCLINED HANDLE

MATERIAL:

Steel with property class 5.8.

SURFACE:

Low roughness turned surface.

STANDARD COLOUR:

H - Nickel-plated (surface treatment).

ALTERNATIVO COLOUR ON REQUEST:

B - Black -oxide (surface treatment).

Z - Galvanised (surface treatment).

D - Dacromet® (surface treatment).

To be specified with the order.

HANDGRIP:

Short handle I500, reinforced polyamide, black RAL 9011 (see Chap. I page 174).

HANDGRIP FASTENING:

Push-fit. Removable.

HOLE:

VERSION W500:

Female threaded hole with tolerance class of 6g.

VERSION W502:

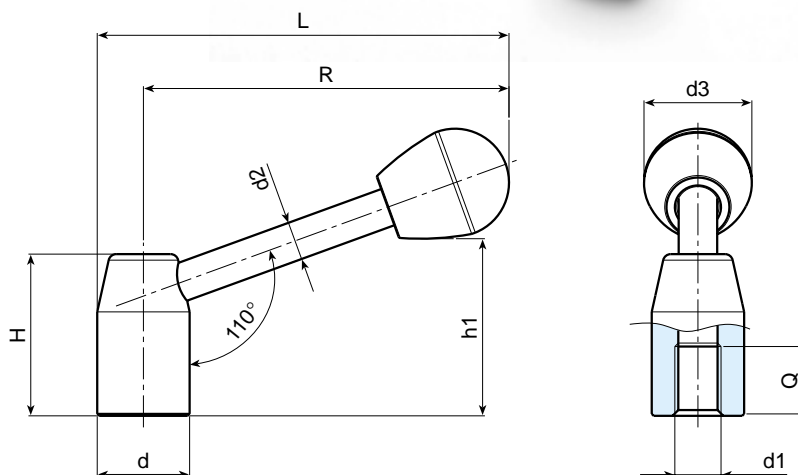
Smooth blind hole with tolerance class of H7.



For fixing systems please refer to the technical notes attached to the catalogue.

SPECIAL REQUESTS:

- It is possible to supply the levers with customised hole d1, on request and for quantities.
- It is possible to supply the handgrip with colours as shown in the table at page 22, on request and for quantities.



Version W500 with female threaded hole

Art.	d	R	L	H	Ht	h1	d2	d3	d1	Q	Weight (g)
W500-70 M08 "HBZD"	20	70	80	34	57	35	8	22	M8	15	89
W500-80 M10 "HBZD"	22	80	91	38	64	42	8	22	M10	15	111
W500-95 M12 "HBZD"	24	95	107	42	75	46	10	28	M12	18	160
W500-110 M12 "HBZD"	28	110	124	48	84	55	12	28	M12	18	280
W500-125 M16 "HBZD"	32	125	141	52	94	61	12	32	M16	23	340
W500-140 M16 "HBZD"	36	140	158	58	103	71	14	32	M16	24	513
W500-150 M20 "HBZD"	40	150	170	64	113	75	16	37	M20	27	687
W500-170 M20 "HBZD"	45	170	192,5	70	125	86	16	37	M20	30	890

Version W502 with smooth blind hole

Art.	d	R	L	H	Ht	h1	d2	d3	d1 H7	Q	Weight (g)
W502-70 D08 "HBZD"	20	70	80	34	57	35	8	22	08	15	84
W502-80 D10 "HBZD"	22	80	91	38	64	42	8	22	10	15	109
W502-95 D12 "HBZD"	24	95	107	42	75	46	10	28	12	18	160
W502-110 D12 "HBZD"	28	110	124	48	84	55	12	28	12	18	278
W502-125 D16 "HBZD"	32	125	141	52	94	61	12	32	16	23	340
W502-140 D16 "HBZD"	36	140	158	58	103	71	14	32	16	24	500
W502-150 D20 "HBZD"	40	150	170	64	113	75	16	37	20	27	670
W502-170 D20 "HBZD"	45	170	192,5	70	125	86	16	37	20	30	870