

ART. W501 - W503

FIXED METAL LEVER WITH HORIZONTAL HANDLE

MATERIAL:

Steel with property class 5.8.

SURFACE:

Low roughness turned surface.

STANDARD COLOUR:

H - Nickel-plated (surface treatment).

ALTERNATIVO COLOUR ON REQUEST:

B - Black -oxide (surface treatment).

Z - Galvanised (surface treatment).

D - Dacromet® (surface treatment).

To be specified with the order.

HANDGRIP:

Ball grip I104 reinforced polyamide, black RAL 9011 (see Chap. I page 163).

HANDGRIP FASTENING:

Push-fit. Removable.

HOLE:

VERSION W501:

Female threaded hole with tolerance class of 6H.

VERSION W503:

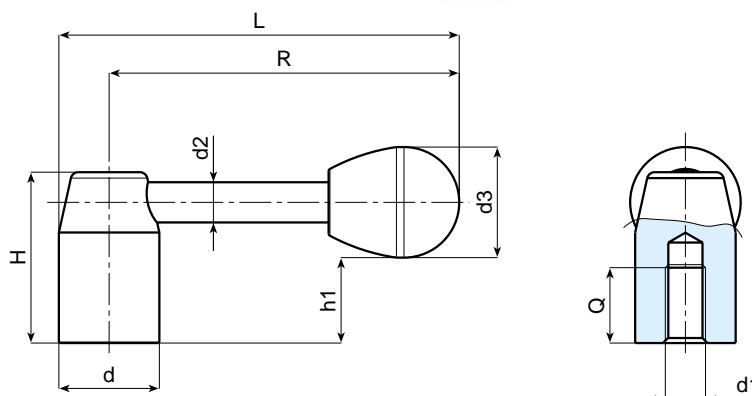
Smooth blind hole with tolerance class of H7.



For fixing systems please refer to the technical notes attached to the catalogue.

SPECIAL REQUESTS:

- It is possible to supply the levers with customised hole d1, on request and for quantities.
- It is possible to supply the handgrip with colours as shown in the table at page 22, on request and for quantities.



Version W501 with female threaded hole

Art.	d	R	L	H	Ht	h1	d2	d3	d1	Q	Weight (g)
W501-70 M08 "HBZD"	20	70	80	34	57	17	8	22	M8	17	89
W501-80 M10 "HBZD"	22	80	91	38	64	20	8	22	M10	19	111
W501-95 M12 "HBZD"	24	95	107	42	75	21	10	28	M12	21	160
W501-110 M12 "HBZD"	28	110	124	48	84	25	12	28	M12	23	280
W501-125 M16 "HBZD"	32	125	141	52	94	27	12	32	M16	25	340
W501-140 M16 "HBZD"	36	141	159	58	103	31	14	32	M16	27	513
W501-150 M20 "HBZD"	40	150	170	64	113	34	16	37	M20	29	687

Version W503 with smooth blind hole

Art.	d	R	L	H	Ht	h1	d2	d3	d1 H7	Q	Weight (g)
W503-70 D08 "HBZD"	20	70	80	34	57	17	8	22	08	17	84
W503-80 D10 "HBZD"	22	80	91	38	64	20	8	22	10	19	109
W503-95 D12 "HBZD"	24	95	107	42	75	21	10	28	12	21	160
W503-110 D12 "HBZD"	28	110	124	48	84	25	12	28	12	23	278
W503-125 D16 "HBZD"	32	125	141	52	94	27	12	32	16	25	340
W503-140 D16 "HBZD"	36	141	159	58	103	31	14	32	16	27	500
W503-150 D20 "HBZD"	40	150	170	64	113	34	16	37	20	29	670