

# J180



## ADJUSTABLE STEEL AND STAINLESS STEEL TOGGLE LATCH

**Material:**

**Version J180:** Adjustable toggle latch made of galvanised shear steel.

**Version J180 CIN:** Adjustable toggle latch made of shear stainless steel . (AISI 304).

**Surface:**

**Version J180:** Glossy.

**Version J180 CIN:** Natural.

**ATTENTION:** the catch plate must be ordered separately.

**SPECIAL REQUESTS:**

- None.

**COMBINABLE CATCH PLATES:**

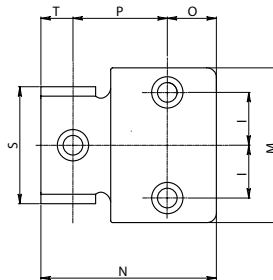
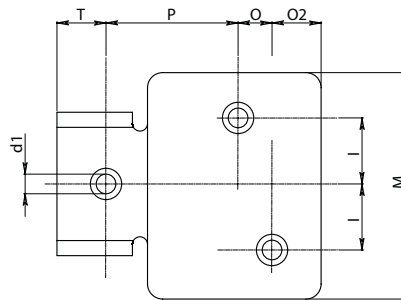
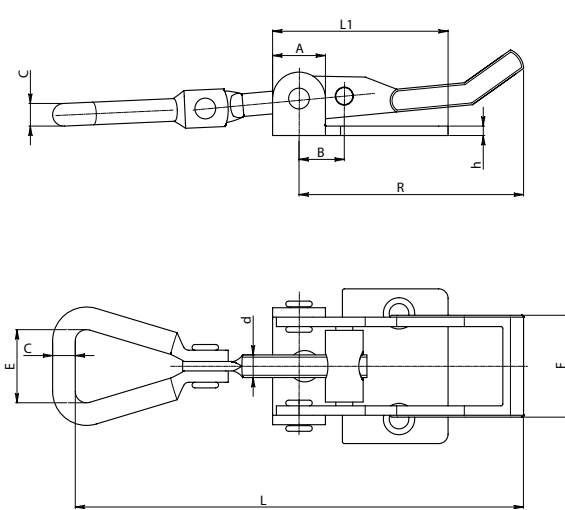
Article J180048 combinable with catch plates: J183048-J184048

Article J180065 combinable with catch plates: J183065-J184065-J185065.

Article J180112 combinable with catch plates: J183065-J184065-J185065.



J180112



**Version J180 - Galvanised steel version**

Art.	R	L	L1/N	A	B	C	d	d1	E	F	h	I	M	O	O2	P	T	S	△ g
☺ J180048.FZ	48	66-75	35	10	11	4,3	M5	5,5	18	17	2	7,5	28	9	-	12	14	20	35
☺ J180065.FZ	65	104-124	46	14	12	6	M6	5,1	24	25	3	13	41	13,5	-	24,5	8	31	110
☺ J180112.FZ	112	160-175	70	20	14	7	M8	7,5	34	30	2,5	17,5	60	9	13	35	13	37	210

**Version J180 CIN - Stainless steel version**

Art.	R	L	L1/N	A	B	C	d	d1	E	F	h	I	M	O	O2	P	T	S	△ g
☺ J180048.FZCIN	48	66-75	35	10	11	4,3	M5	5,5	18	17	2	7,5	28	9	-	12	14	20	35
☺ J180065.FZCIN	65	104-124	46	14	12	6	M6	5,1	24	25	3	13	41	13,5	-	24,5	8	31	110



**J - LATCHING SYSTEMS**

ver. JUK.16-1214

Presumable presence in the stock in %

(🏠) 90% (☺) 40% (☹) 5% (⊖)