

T558



PC

UL94
HB



KNIFE ENGRAVER KIT FOR CIRCULAR SAW GUARD T556300

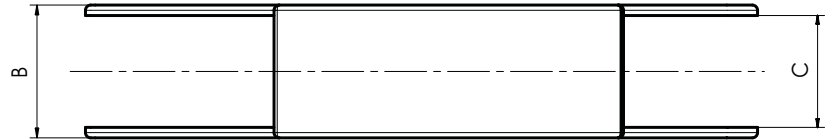
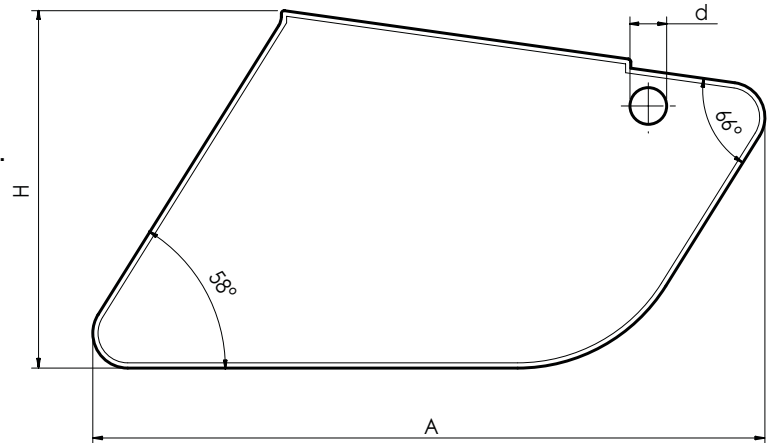
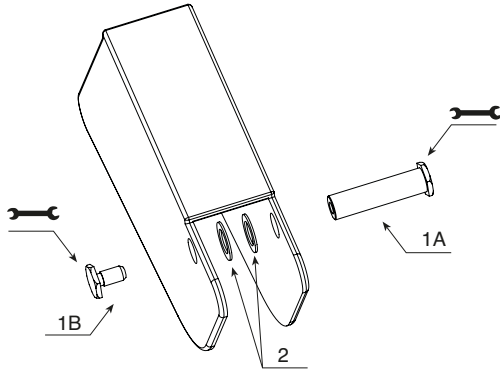
Material: Polycarbonate.

Surface: Satin.

Colour: Transparent.

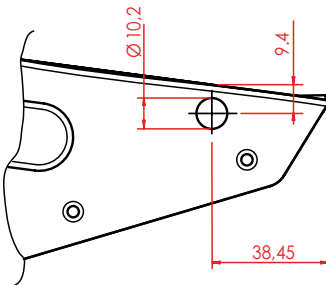
Inserts:

- (1A) Turned brass rotation pin with hexagonal head.
- (1B) Turned brass fixing screw with special hexagon head.
- (2) Brass spacer washer D. 16x0,8 bore 10,3.



Indications of drilling on the T556300:

Caution: measurements are approximate due to the shrinkage of the material is not constant. Always check each batch before drilling. Differences in the order of a few tenths of a millimeter.



Caution: The extension is supplied with a spacer equal to the extension itself, but with a piece screwed. Do not throw it away. It can be returned and reused.



Art.	A	H	B	C	d	🔧	⚖️ g
T558300.CCRI	192	102	38	32	10,5	13	122